

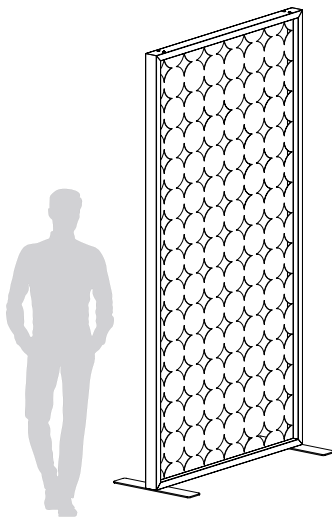
# Surface Mode: Transparency

## Frame Assembly Instructions



### Frame System

The Transparency collection offers an optional frame system that fits panels up to 4' x 8' and is ideal as a freestanding room divider (with optional feet), hanging frame, half wall divider and more. Fully finished frames with optional feet are available with all necessary hardware in any size up to 4'x8'. Raw extrusion in 12'-8" lengths with corner brackets and fabrication instructions. Unfinished feet can also be provided on request. For an animated illustration of the assembly process [click here](#).



### Standard Specifications

*Cut-to-size + custom colors available.*

Extruded Aluminum

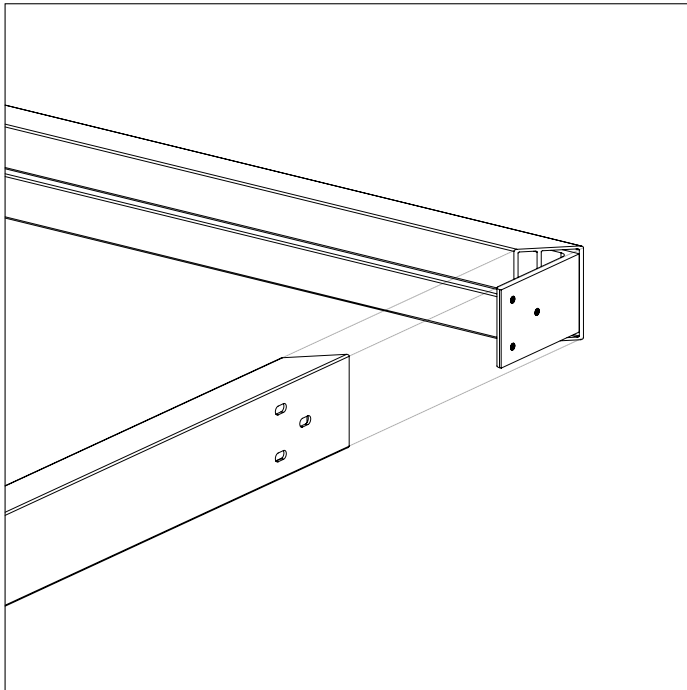
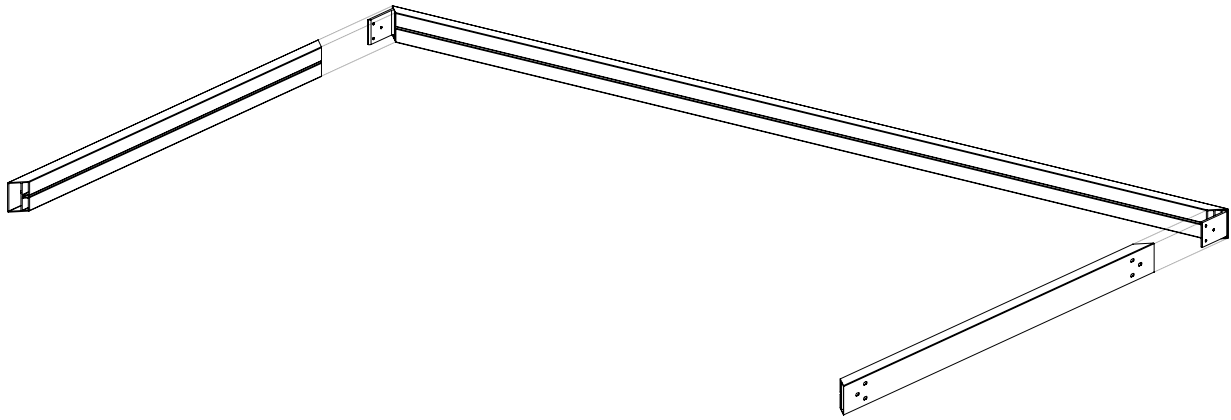
Finish: White Powder Coat

Exterior Dimensions: 50" (w) x 98" (h)

Frame Weight: 35 lbs.

Frame Profile: 1-1/2" (h) x 3" (w)

Slot Opening: 1/8"



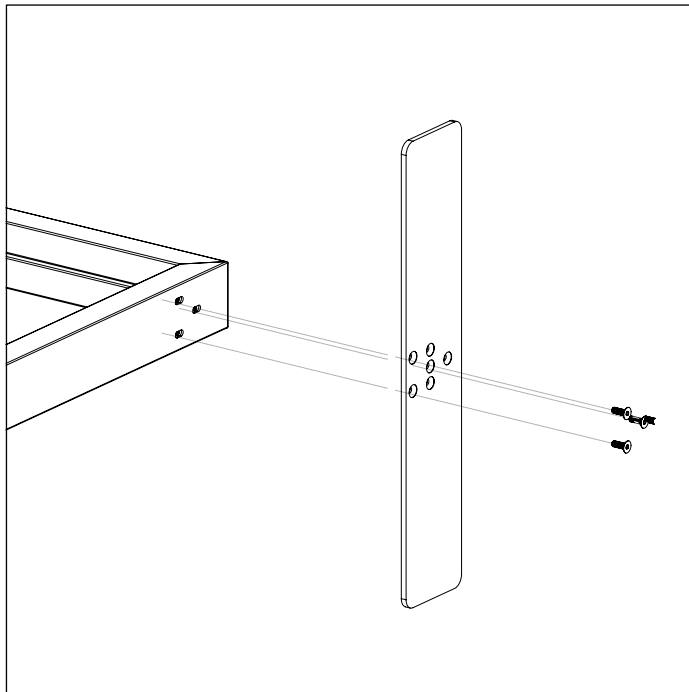
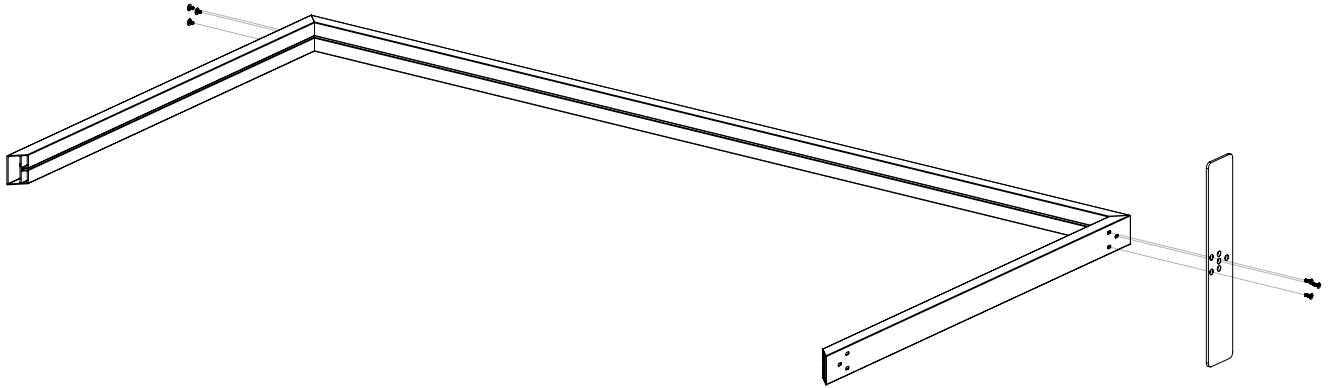
**1.**

Layout one side (vertical) piece and the top and bottom (horizontal) pieces on smooth flat table.

*Recommend padding to avoid scratching the finish*

**2.**

Slide top and bottom pieces over the tabs on the side piece.

**3.**

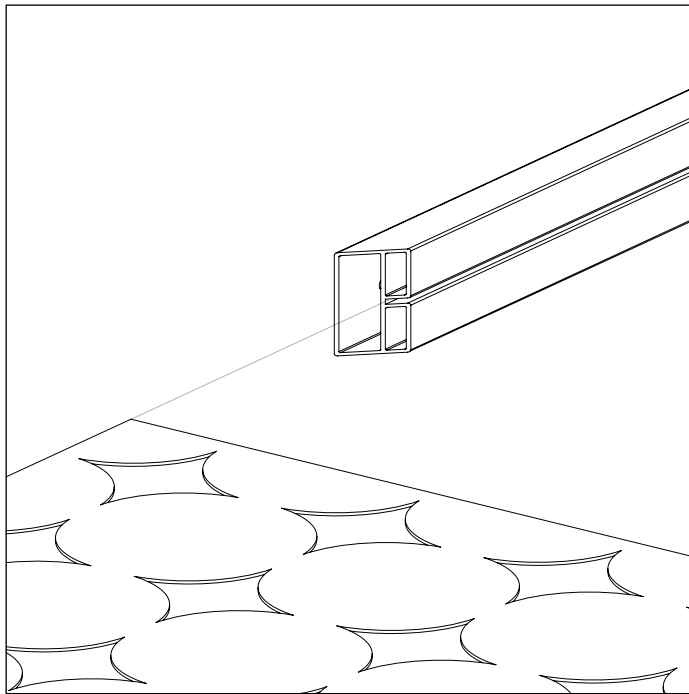
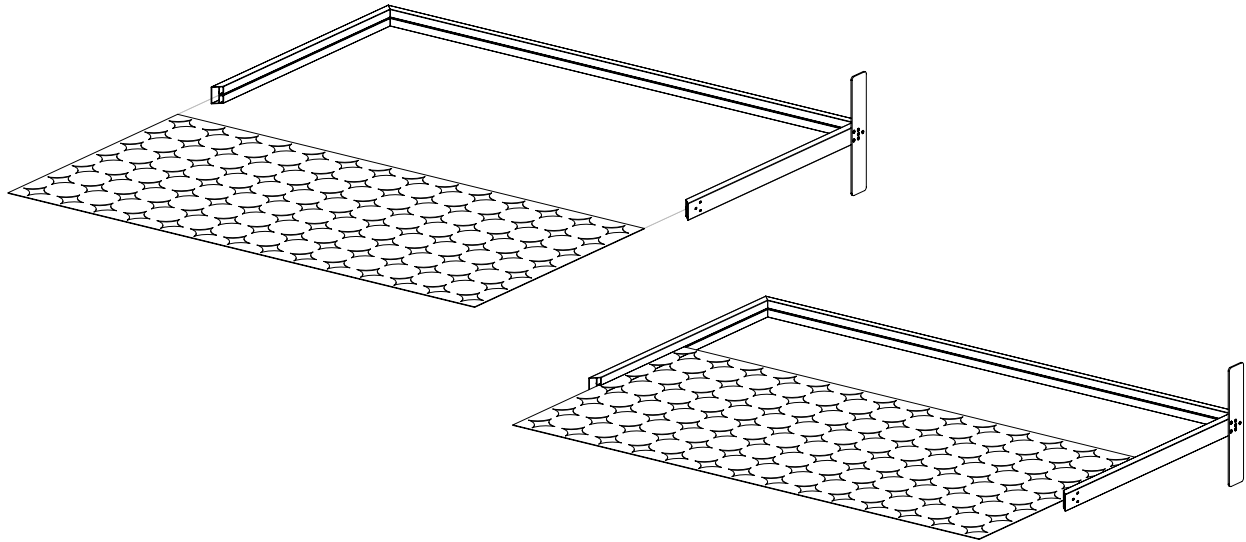
Use (3) button head screws to attach the top piece.

- a. Shift top piece back and forth in slots to achieve a tight fit on the mitered corner.

**4.**

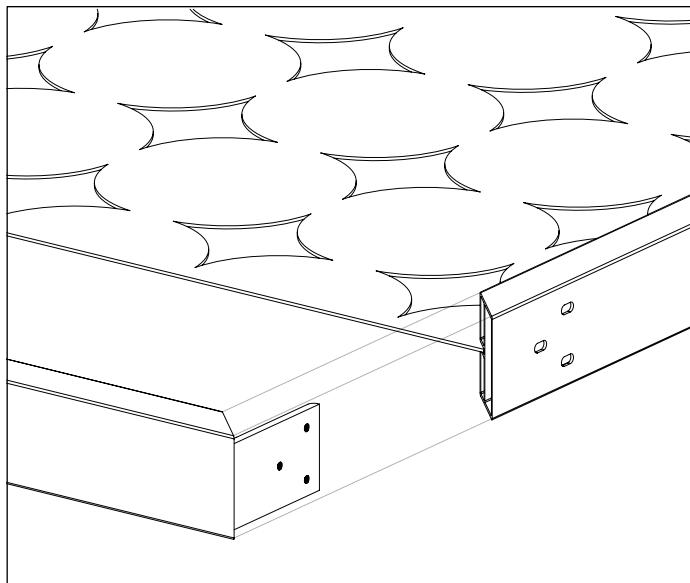
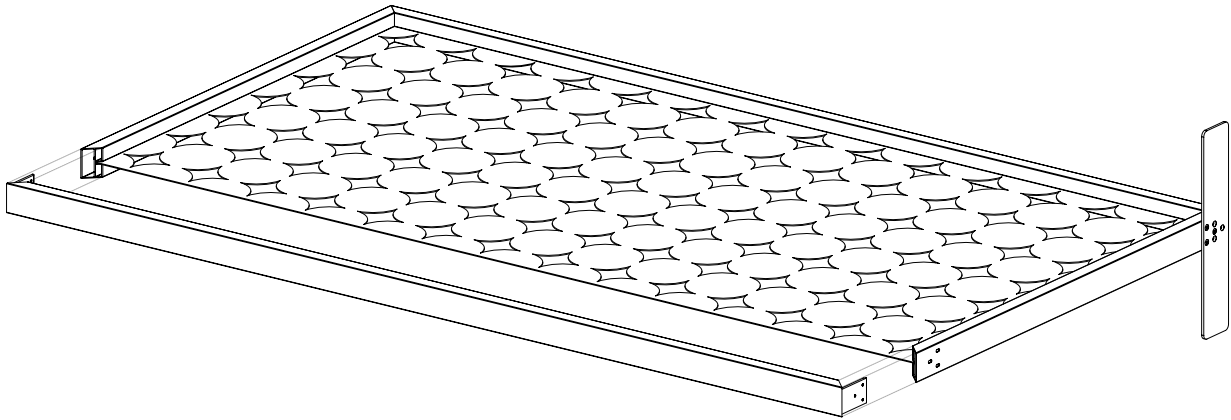
Use (3) flat head screws to attach the foot and bottom piece

- a. Shift bottom piece back and forth in slots to achieve a tight fit on the mitered corner.
- b. Align bottom of frame with edge of table to allow foot to hang off table during assembly.

**5.**

Slide panel into slot in frame.

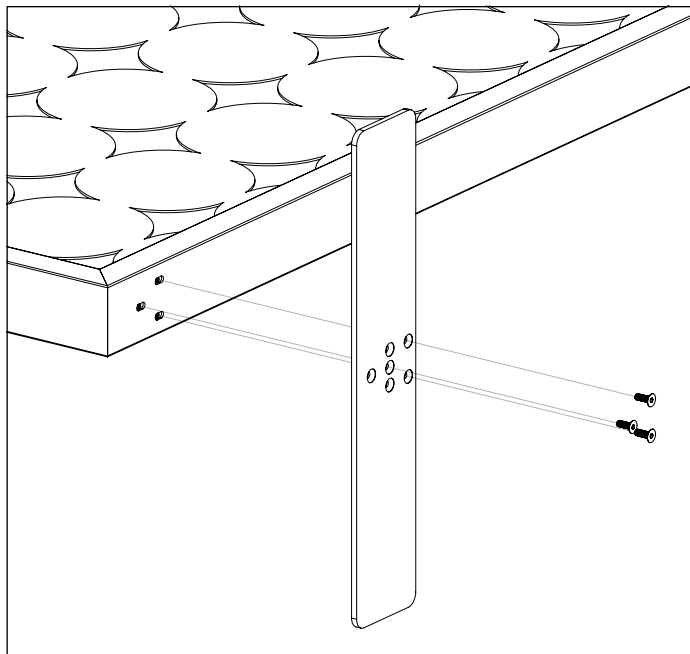
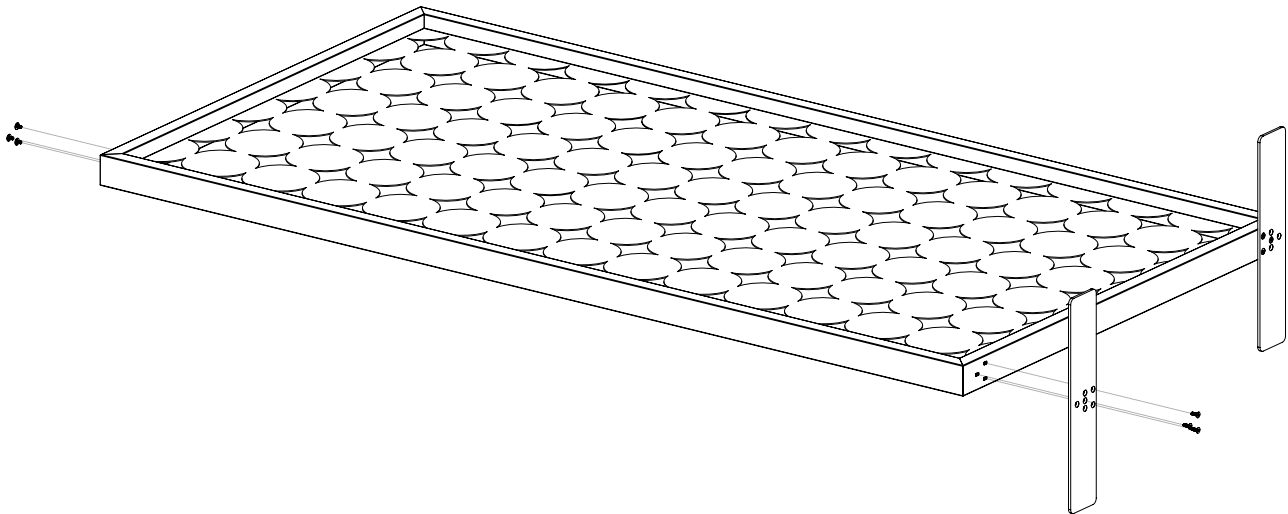
- a. Check that panel is fully seated in slot on side piece.
- b. Slot opening of .125" will accommodate panels in .063" or .090" (clearance fit).



**6.**

Slide tabs on remaining side piece into top and bottom pieces

- a. Check that panel is fully seated in slot on side piece.



**7.**

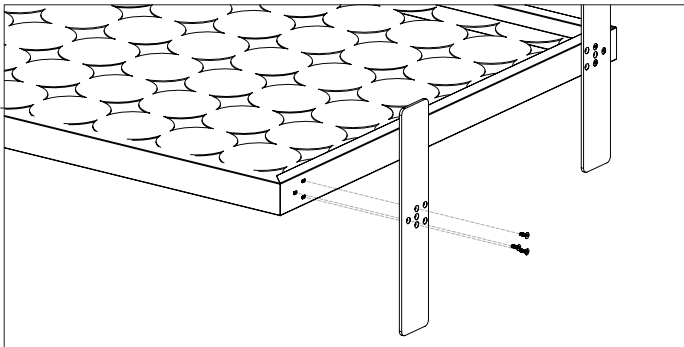
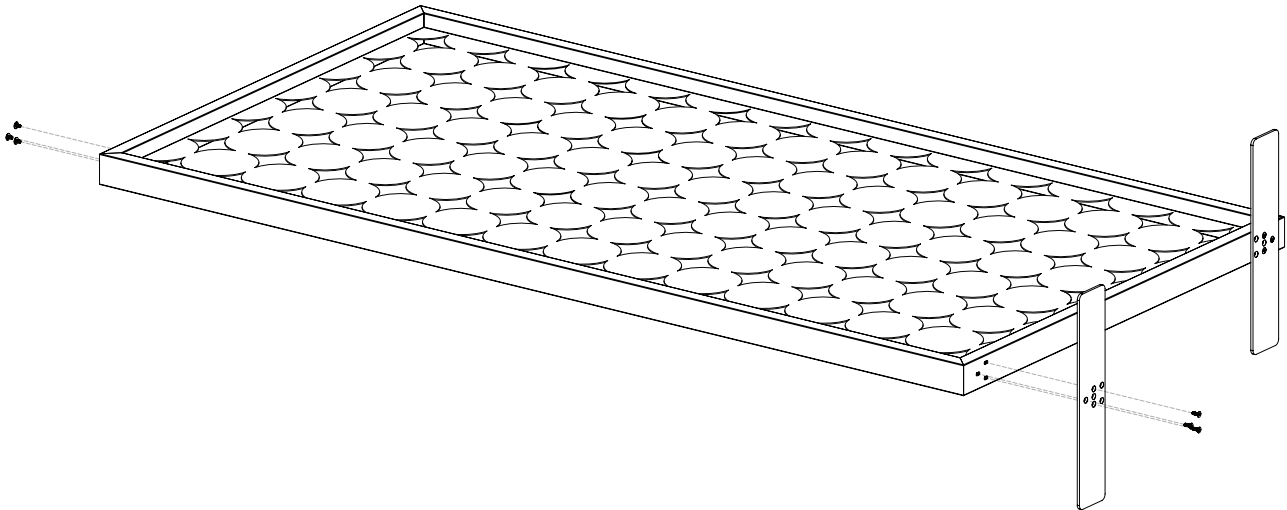
Use (3) button head screws to attach the top piece.

- a. Shift top piece back and forth in slots to achieve a tight fit on the mitered corner.

**8.**

Use (3) flat head screws to attach the foot and bottom piece

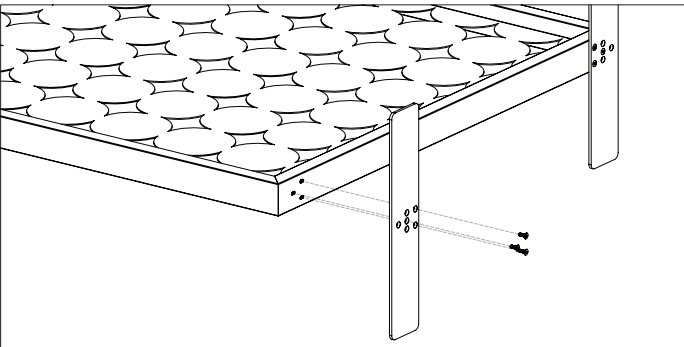
- a. Shift bottom piece back and forth in slots to achieve a tight fit on the mitered corner

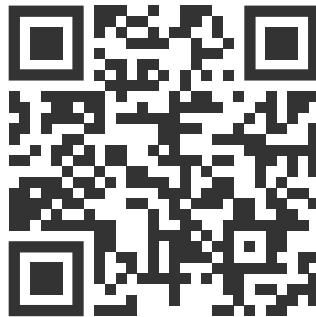
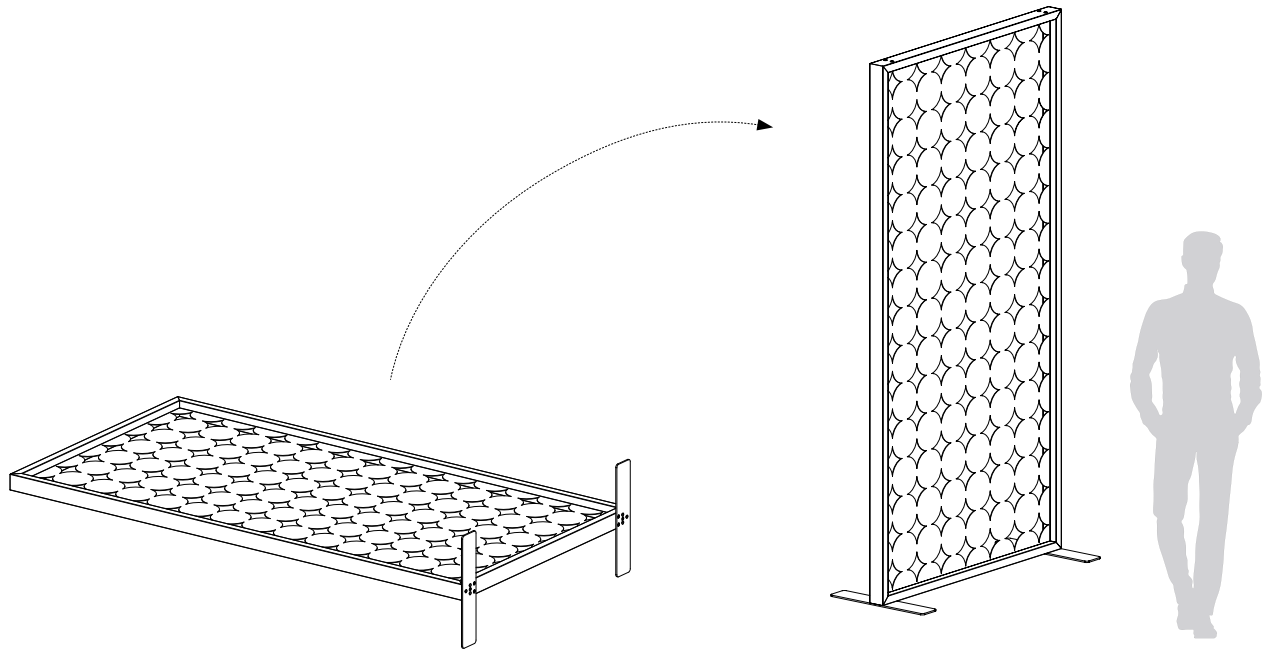


### Alternate Foot Position

Extra screw holes in feet can be used to alternate foot position from flush with outside edge to inset.

- a. Adjust screw hole alignment to change final foot positioning





Scan for animated illustration of frame assembly process.

9. Stand panel up and place in position.